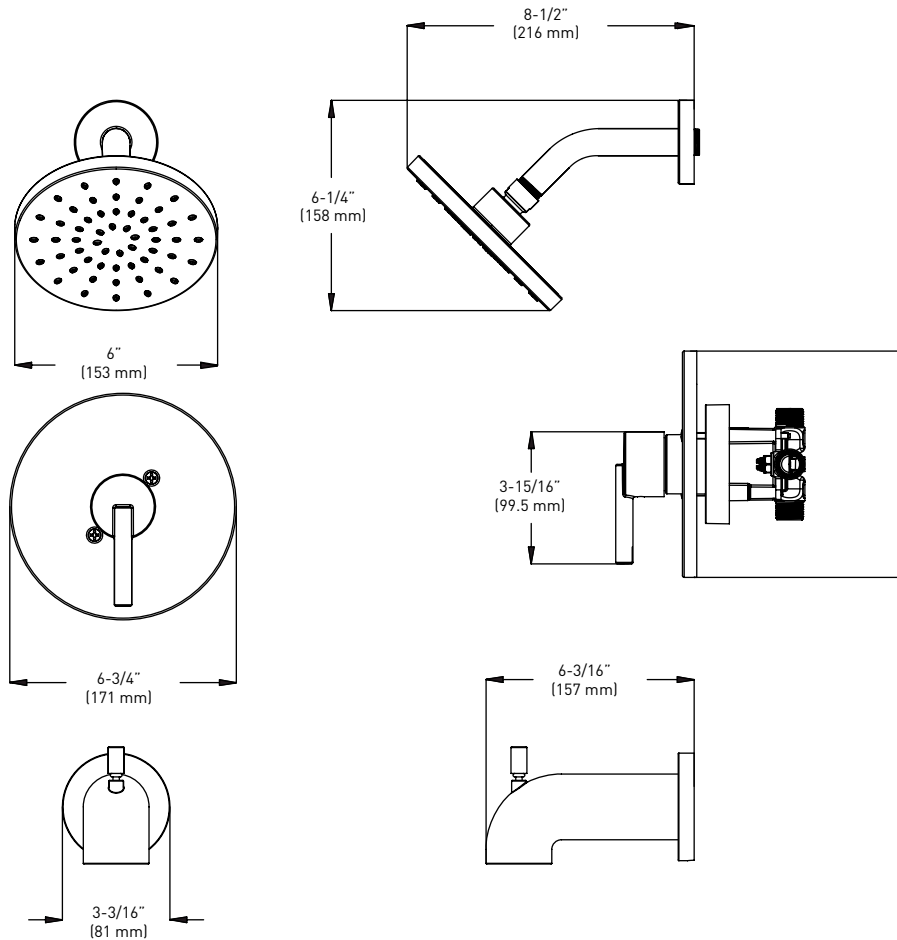


FEATURES

- › SINGLE SETTING SHOWER HEAD WITH WIDE SPRAY FACE OFFERS FULL COVERAGE
- › INCLUDES BATH SPOUT AND PRESSURE-BALANCED VALVE
- › SINGLE LEVER HANDLE FOR EASY TEMPERATURE AND FLOW CONTROL
- › ADJUSTABLE TEMPERATURE LIMIT STOP CONTROLS MAXIMUM HOT WATER TEMPERATURE
- › PRESSURE BALANCING MECHANISM MAINTAINS SELECTED DISCHARGE TEMPERATURE TO $\pm 2^\circ$
- › CERAMIC DISC CARTRIDGE ENSURES DURABILITY AND LONG-LASTING PERFORMANCE
- › MAXIMUM FLOW RATE OF 1.8 GPM (6.8 LPM)



MATERIAL

- › PREMIUM METAL CONSTRUCTION
- › FINISH RESISTS CORROSION AND TARNISHING
- › BRASS VALVE BODY

CODES/STANDARDS

- › MEETS OR EXCEEDS ASME A112.18.1/CSA B125.1
- › CERTIFICATIONS: cUPC
- › CODE COMPLIANCE: ANSI/NSF 372, ASSE 1016, ADA



INSTALLATION

- › WALL MOUNT INSTALLATION
- › BACK-TO-BACK INSTALLATION CAPABILITY

RETAIL PACK

TUB & SHOWER FAUCET

POLISHED CHROME 26

06-3333AS

CASE QTY

6

MEASUREMENTS SUBJECT TO A 3% VARIANCE

MEASUREMENTS ARE FOR REFERENCE ONLY. TAYMOR RESERVES THE RIGHT TO CHANGE THE PRODUCT SPECS WITHOUT NOTICE. FOR PRODUCT WARRANTY, PLEASE VISIT TAYMOR WEBSITE FOR DETAILS

