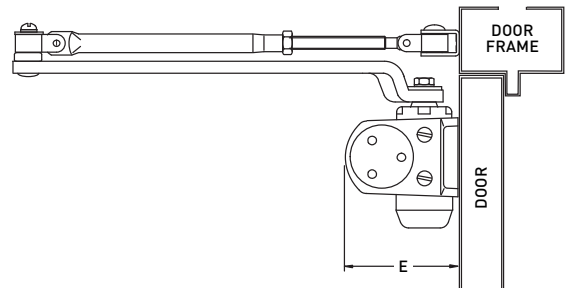
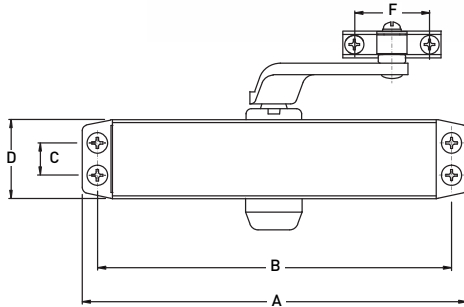


DOOR CLOSERS

550 SERIES
GRADE 2 - BUILDER PACK

Taymor



	A	B	C	D	E	F
13-552APAL	8-29/32" [226 mm]	8-3/16" [208 mm]	3/4" [19 mm]	1-13/16" [46 mm]	2-17/32" [72 mm]	1-3/4" [44.5 mm]
13-553APAL	8-29/32" [226 mm]	8-3/16" [208 mm]	3/4" [19 mm]	1-13/16" [46 mm]	2-17/32" [72 mm]	1-3/4" [44.5 mm]
13-554APAL	9-3/4" [248 mm]	9-1/16" [230 mm]	3/4" [19 mm]	1-31/32" [50 mm]	2-29/32" [73 mm]	1-3/4" [44.5 mm]

SIZE	MAXIMUM RECOMMENDED DOOR SIZE & WEIGHT	ALUMINUM	CASE PACK
2	36" x 84" - (90 cm x 210 cm) 55-100 lbs / [25-45 kg]	13-552APAL	10
3	38" x 84" - (95 cm x 210 cm) 88-144 lbs / [40-64 kg]	13-553APAL	10
4	42" x 96" - (105 cm x 240 cm) 132-187 lbs / [60-84 kg]	13-554APAL	10

FEATURES

- BHMA/ANSI 156.4 GRADE 2
- UL AND c-UL LISTED COMPLIANT UL 10C FOR POSITIVE PRESSURE
- HIGH STRENGTH ALUMINUM ALLOY BODY
- NON-HANDED
- TWO INDEPENDENT ADJUSTABLE VALVES CONTROL SWEEPING AND LATCHING SPEED
- UNIVERSAL MOUNTING (REGULAR AND PARALLEL BRACKETS INCLUDED)
- SUPPLIED WITH BOTH MACHINE AND WOOD SCREWS
- 5 YEAR WARRANTY