

## SPECIFICATIONS

- › PROGRAM UP TO 10 USER CODES 4-6 DIGITS IN LENGTH
- › VOLUME CONTROL
- › AUTO LOCK OPTION
- › SINGLE USE / TEMPORARY USER CODE OPTION
- › VACATION MODE
- › LOW BATTERY INDICATOR
- › UNIVERSAL 6-IN-1 LATCH: DRIVE-IN, SQUARE MORTISE AND RADIUS CORNER
- › STANDARD BORE HOLE SIZES: 2-1/8" (54 mm) OR 1-1/2" (38 mm)
- › ADJUSTABLE BACKSET: 2-3/8" (60 mm) – 2-3/4" (70 mm)
- › STANDARD DOOR THICKNESS: 1-3/8" (35 mm) TO 2" (51 mm)
- › FULLY REVERSIBLE
- › OPERATES ON 4 x AA BATTERIES (SOLD SEPARATELY), NO HARDWIRING REQUIRED
- › FULLY OPERATIONAL WITH CONVENTIONAL KEY (2 INCLUDED)
- › EASY TO FOLLOW INSTRUCTIONAL VIDEOS AVAILABLE ON TAYMOR.CA
- › PACKAGED IN KEYED DIFFERENT (KD)



INTERIOR VIEW

GRADE  
**3**

**ANSI GRADE 3**

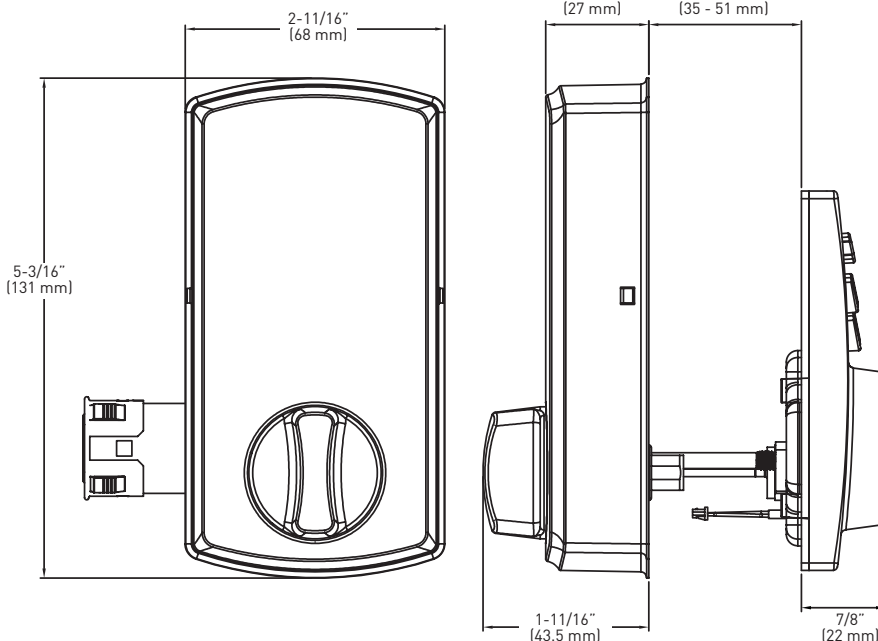
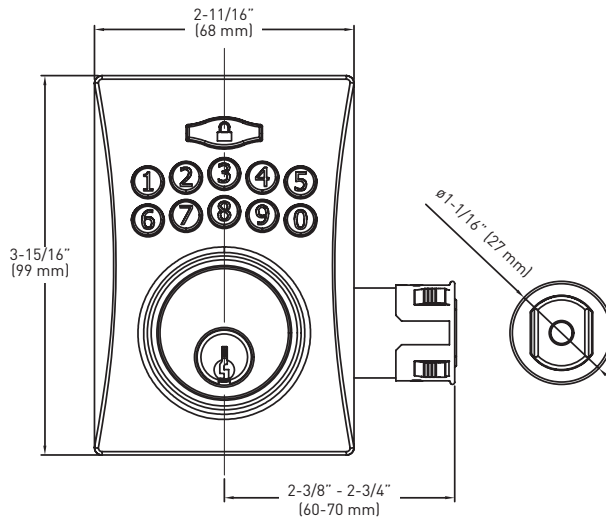
**LIFETIME MECHANICAL AND FINISH WARRANTY**  
**1 YEAR ELECTRONIC COMPONENTS WARRANTY**



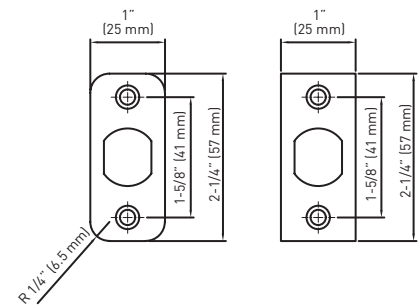
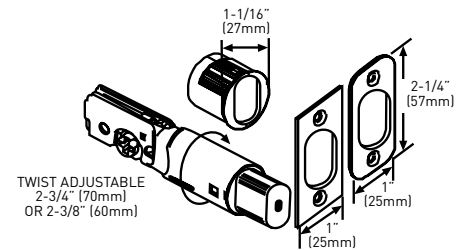
**FULL KEYING SERVICES  
AVAILABLE  
WR5 KEYWAY**



**OPERATION TEMPERATURE**  
-35° to 66°C (-31°F to 150.8°F)  
(Temperature tolerance could vary  
due to different weather conditions)



### 6-IN-1 ADJUSTABLE DEADBOLT LATCH



RETAIL BOX PACK	SATIN NICKEL 15	BLACK 19	CASE QTY.
CENTINEL 1 ELECTRONIC DEADBOLT	34-FV5010SN	34-FV5010BLK	6

