

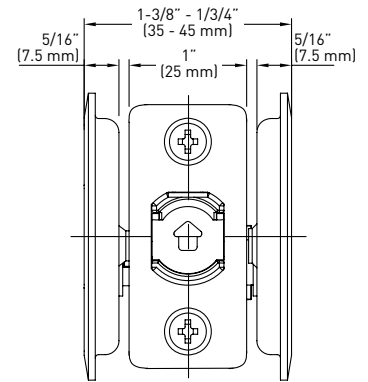
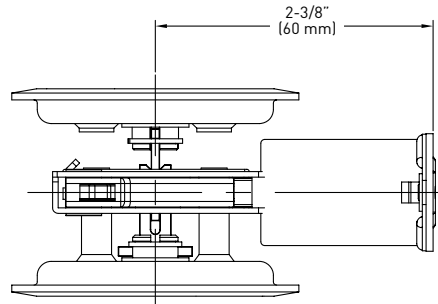
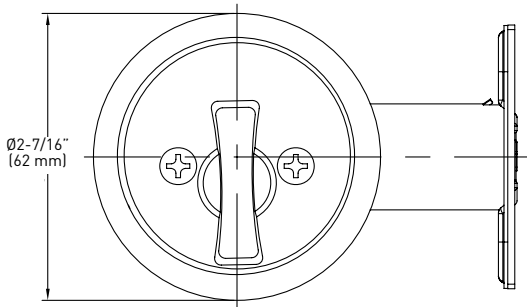
### FEATURES

- › FITS STANDARD BORE HOLE 2-1/8" (54 mm)
- › ZINC DIE-CAST CONSTRUCTION
- › FIXED BACKSET 2-3/8" (60 mm) RADIUS CORNER LATCH
- › PUSH-PULL RETRACTABLE LATCH
- › FULLY REVERSIBLE LOCK
- › FITS STANDARD DOOR THICKNESS - 1-3/8" TO 1-3/4" (35 mm - 44 mm)

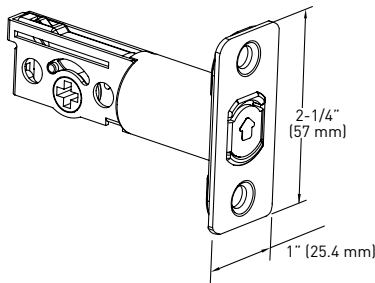


PRIVACY

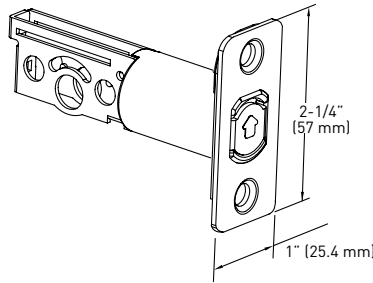
PASSAGE



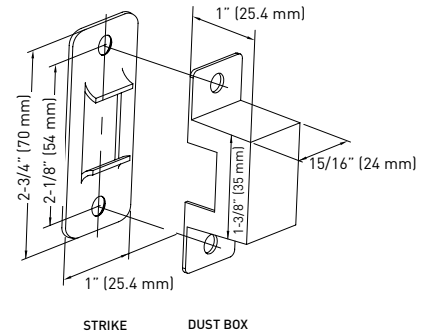
2-3/8" MORTISE LATCH  
PRIVACY



2-3/8" MORTISE LATCH  
PASSAGE



STRIKE - PRIVACY



STRIKE

DUST BOX

### MEASUREMENTS SUBJECT TO A 3% VARIANCE

MEASUREMENTS ARE FOR REFERENCE ONLY. TAYMOR RESERVES THE RIGHT TO CHANGE THE PRODUCT SPECS WITHOUT NOTICE. FOR PRODUCT WARRANTY, PLEASE VISIT TAYMOR WEBSITE FOR DETAILS

BUILDER PACK	PRIVACY	PASSAGE	CASE QTY
SATIN NICKEL 15	33-SN680RD	33-SN690RD	30
MATTE BLACK 19	33-BLK680RD	33-BLK690RD	30
POLISHED CHROME 26	33-PC680RD	33-PC690RD	30
SATIN CHROME 26D	33-SC680RD	33-SC690RD	30