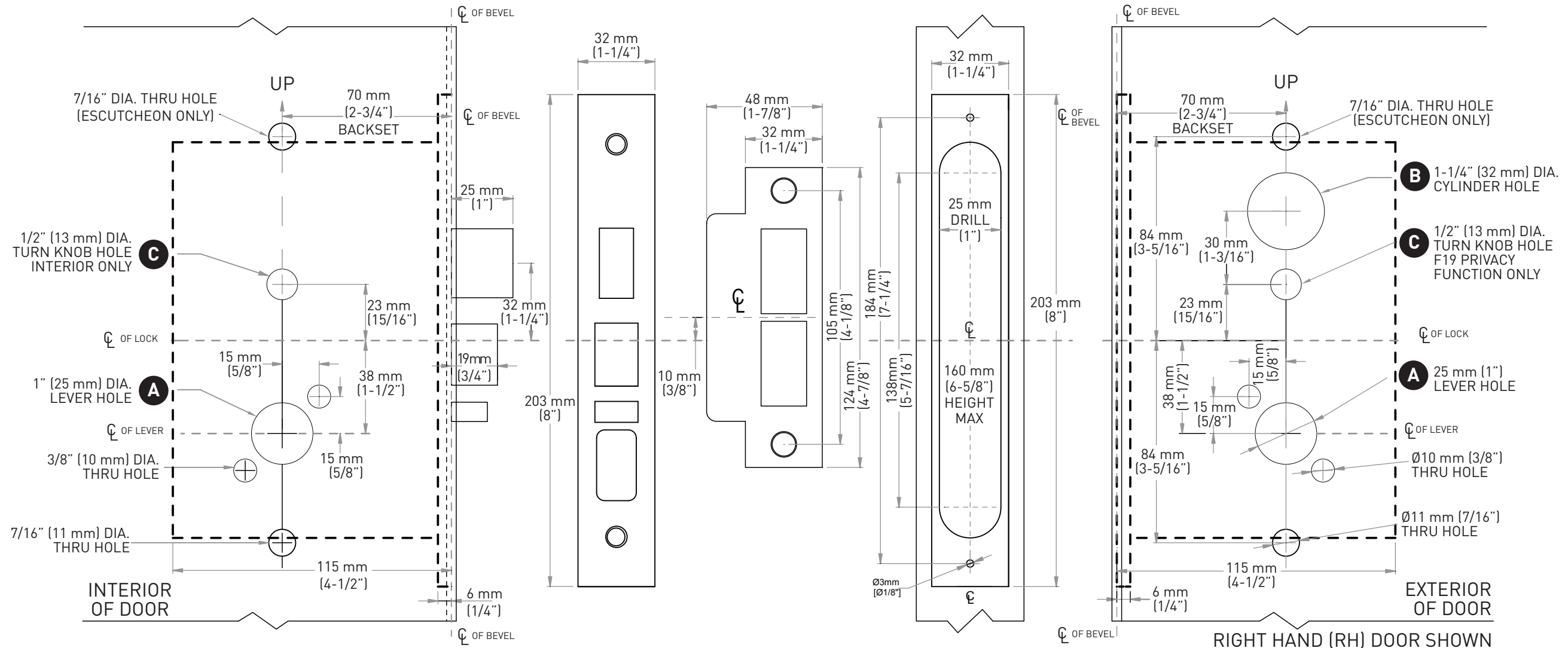
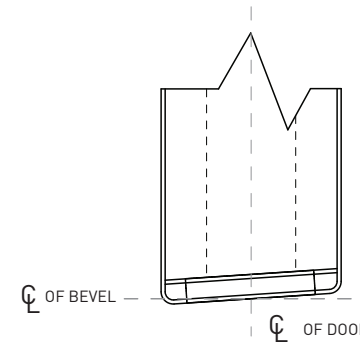


# DOOR PREP DETAILS - METAL ESCUTCHEON MORTISE LOCK

DOOR PREPARATION CHART

LOCK FUNCTION	EXTERIOR			INTERIOR	
	LEVER HOLE A	CYLINDER HOLE B	TURN KNOB HOLE C	LEVER HOLE A	TURN KNOB HOLE C
F01 - PASSAGE	•			•	
F04 - ENTRY	•	•		•	
F05 - CLASSROOM	•	•		•	
F13 - DORMITORY/EXIT	•	•		•	•
F07 - STOREROOM	•	•		•	
F19 - PRIVACY	•		•	•	•
F20 - CORRIDOR	•	•		•	•
F13 - STOREROOM WITH DEADBOLT	•	•		•	•



**NOTES:**

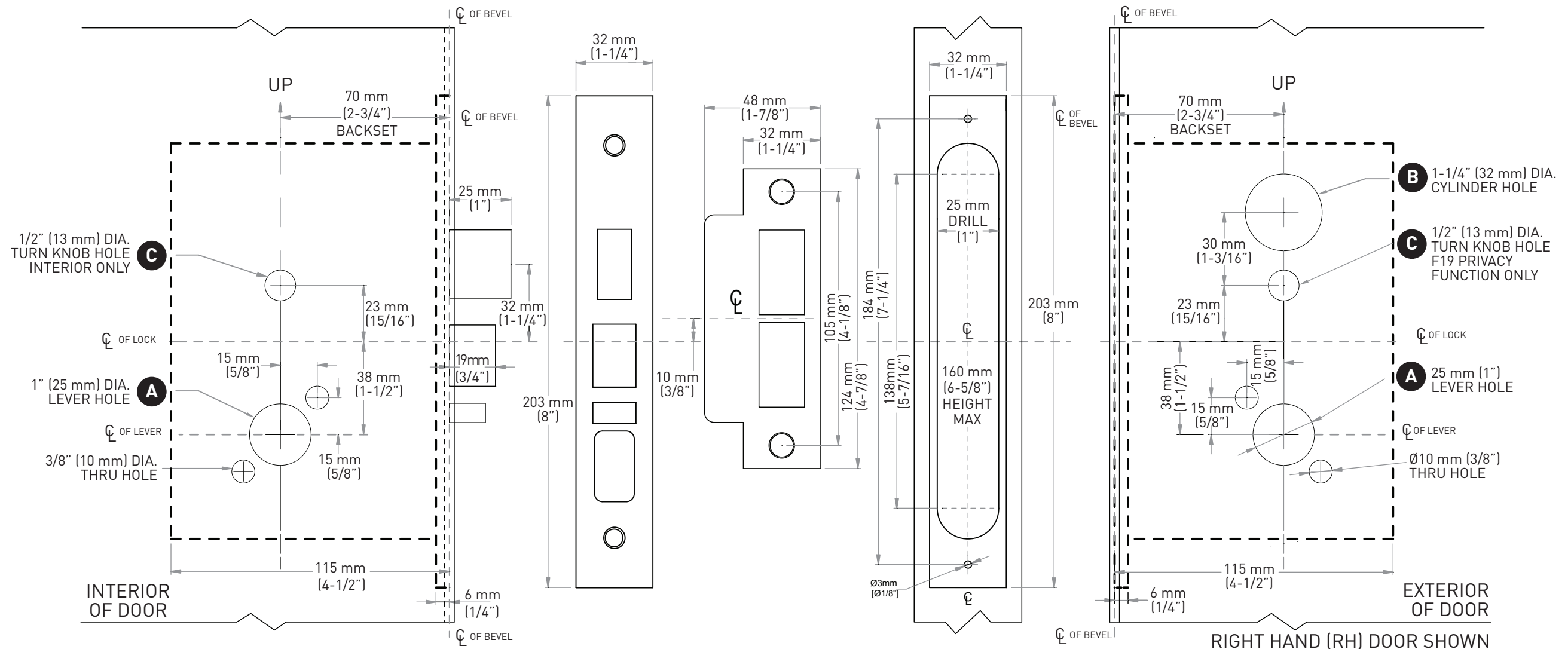
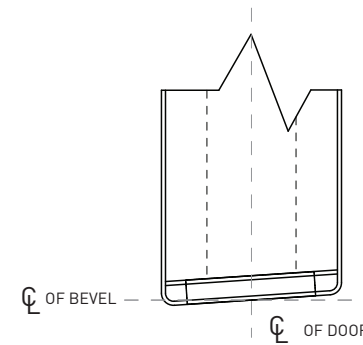
1. Templates are not to scale
2. 3900 series mortise locks meet all requirements for door and frame installations prepared to ANSI A156.13
3. Refer to strike prep template for additional details

	<b>TAYMOR INDUSTRIES LTD.</b>	<small>RELEASE DATE</small> <b>April 22 2014</b>
	<small>FOR 3900 SERIES ESCUTCHEON COMMERCIAL AND RESIDENTIAL MORTISE LOCK (CASSETTE ASSEMBLIES ONLY)</small>	<small>TEMPLATE NO.</small> <b>T39ME01-M</b>

# DOOR PREP DETAILS - METAL SECTIONAL MORTISE LOCK

DOOR PREPARATION CHART

LOCK FUNCTION	EXTERIOR			INTERIOR	
	LEVER HOLE A	CYLINDER HOLE B	TURN KNOB HOLE C	LEVER HOLE A	TURN KNOB HOLE C
F01 - PASSAGE	•			•	
F04 - ENTRY	•	•		•	
F05 - CLASSROOM	•	•		•	
F13 - DORMITORY/EXIT	•	•		•	•
F07 - STOREROOM	•	•		•	
F19 - PRIVACY	•		•	•	•
F20 - CORRIDOR	•	•		•	•
F13 - STOREROOM WITH DEADBOLT	•	•		•	•



**NOTES:**

1. Templates are not to scale
2. 3900 series mortise locks meet all requirements for door and frame installations prepared to ANSI A156.13
3. Refer to strike prep template for additional details

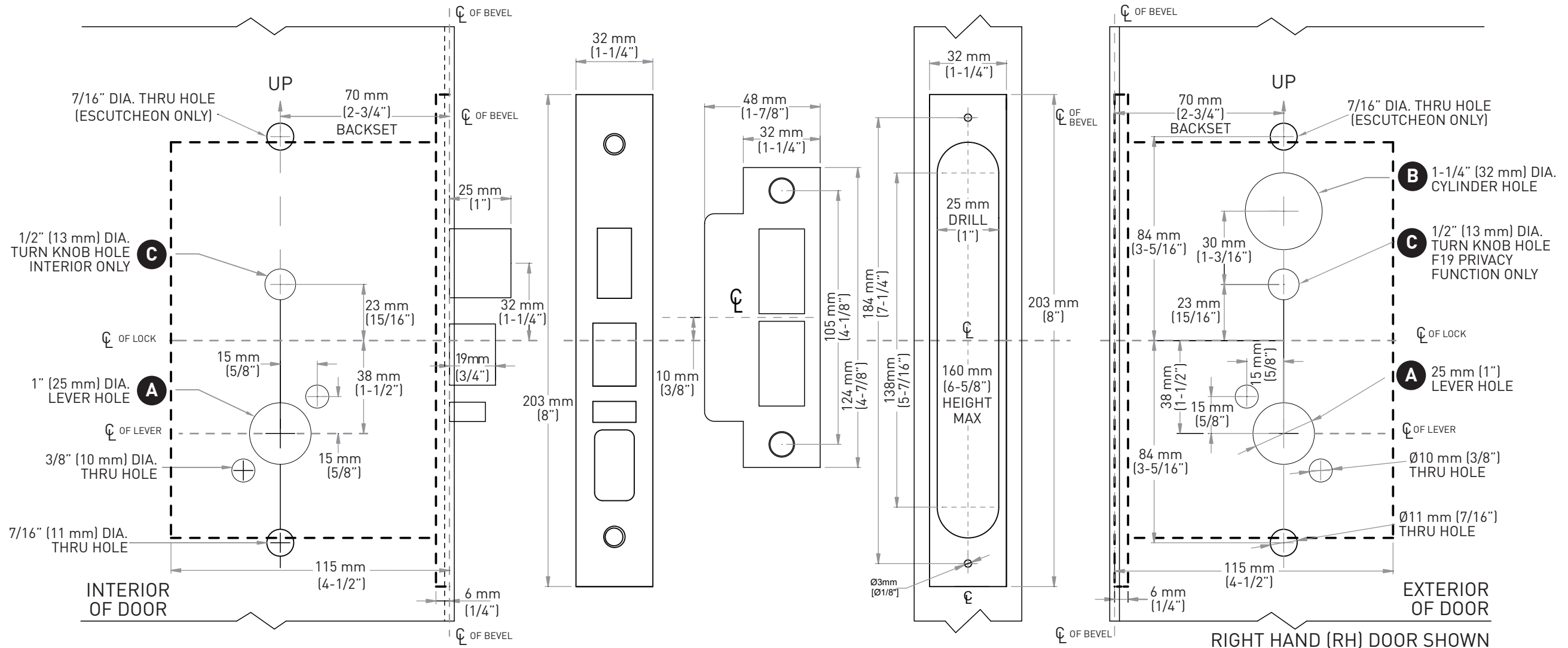
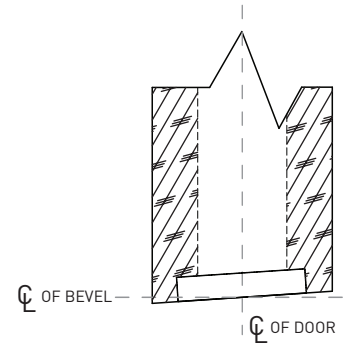
	<b>TAYMOR INDUSTRIES LTD.</b>	RELEASE DATE
	FOR 3900 SERIES SECTIONAL COMMERCIAL AND RESIDENTIAL MORTISE LOCK (CASSETTE ASSEMBLIES ONLY)	Nov. 13, 2013
		TEMPLATE NO.
		T39MS01-M

# DOOR PREP DETAILS - WOOD OR COMPOSITE

## ESCUTCHEON MORTISE LOCK

DOOR PREPARATION CHART

LOCK FUNCTION	EXTERIOR			INTERIOR	
	LEVER HOLE A	CYLINDER HOLE B	TURN KNOB HOLE C	LEVER HOLE A	TURN KNOB HOLE C
F01 - PASSAGE	•			•	
F04 - ENTRY	•	•		•	
F05 - CLASSROOM	•	•		•	
F13 - DORMITORY/EXIT	•	•		•	•
F07 - STOREROOM	•	•		•	
F19 - PRIVACY	•		•	•	•
F20 - CORRIDOR	•	•		•	•
F13 - STOREROOM WITH DEADBOLT	•	•		•	•



**NOTES:**

1. Templates are not to scale
2. 3900 series mortise locks meet all requirements for door and frame installations prepared to ANSI A156.13
3. Refer to strike prep template for additional details

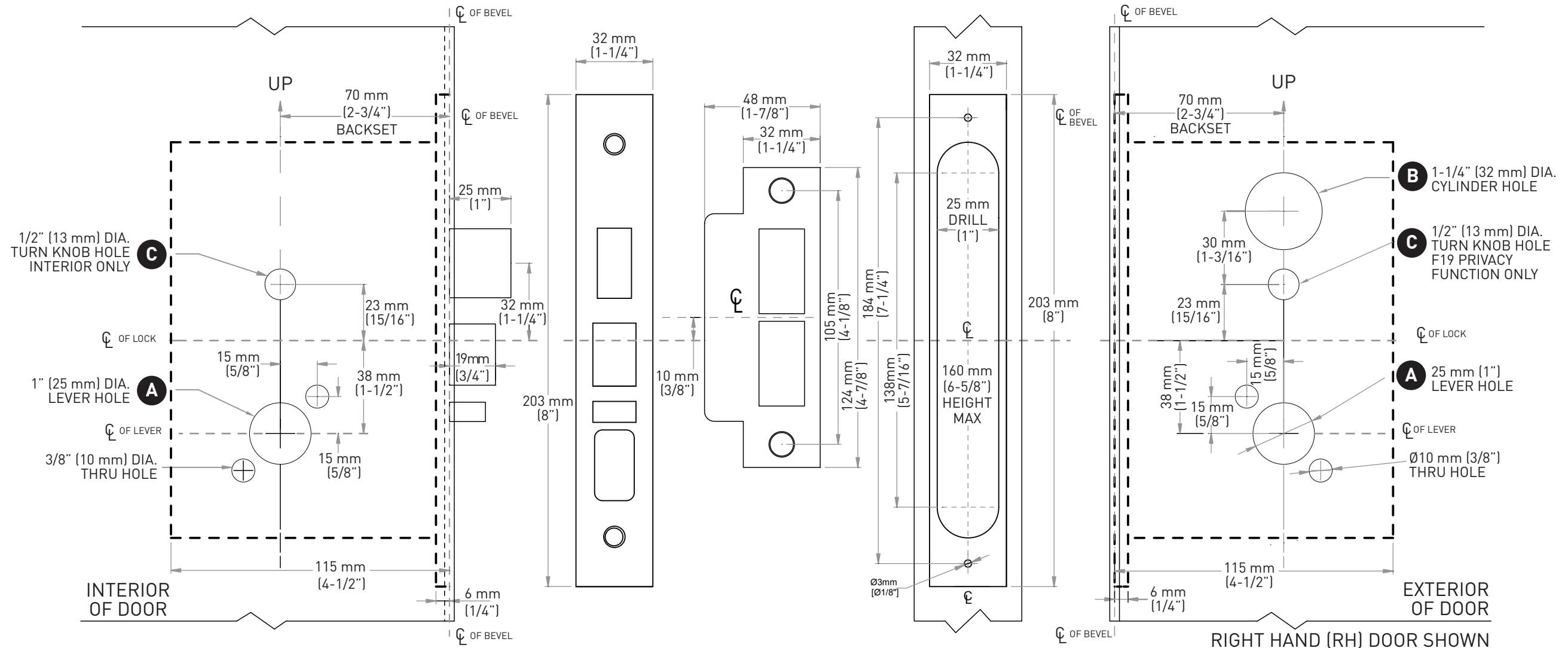
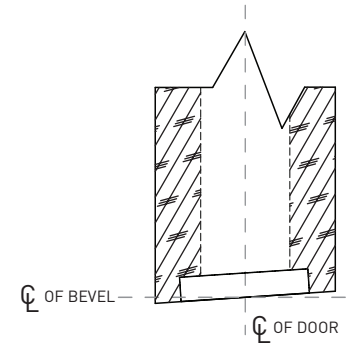
	<b>TAYMOR INDUSTRIES LTD.</b>	RELEASE DATE
	FOR 3900 SERIES ESCUTCHEON COMMERCIAL AND RESIDENTIAL MORTISE LOCK (CASSETTE ASSEMBLIES ONLY)	April 22, 2014
	TEMPLATE NO.	T39ME01-W

# DOOR PREP DETAILS - WOOD OR COMPOSITE

## SECTIONAL MORTISE LOCK

DOOR PREPARATION CHART

SERIES	EXTERIOR			INTERIOR	
	LEVER HOLE A	CYLINDER HOLE B	TURN KNOB HOLE C	LEVER HOLE A	TURN KNOB HOLE C
F01 - PASSAGE	•			•	
F04 - ENTRY	•	•		•	
F05 - CLASSROOM	•	•		•	
F13 - DORMITORY/EXIT	•	•		•	•
F07 - STOREROOM	•	•		•	
F19 - PRIVACY	•		•	•	•
F20 - CORRIDOR	•	•		•	•
F13 - STOREROOM WITH DEADBOLT	•	•		•	•



### NOTES:

1. Templates are not to scale
2. 3900 series mortise locks meet all requirements for door and frame installations prepared to ANSI A156.13
3. Refer to strike prep template for additional details

	<b>TAYMOR INDUSTRIES LTD.</b>	<small>RELEASE DATE</small> April 22 2014
	FOR 3900 SERIES SECTIONAL COMMERCIAL AND RESIDENTIAL MORTISE LOCK (CASSETTE ASSEMBLIES ONLY)	<small>TEMPLATE NO.</small> T39MS01-W