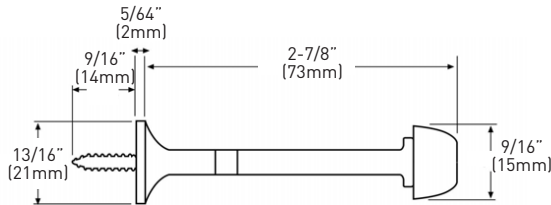


SPRING STOP

› STEEL SPRING WIRE

| | PKG | POLISHED BRASS 3 | OIL RUBBED BRONZE 10B | SATIN NICKEL 15 | NICKEL 26 | ANTIQUE NICKEL 17A | MATTE BLACK 19 | SATIN CHROME 26D | CASE QTY. |
|----------------|------|------------------|-----------------------|-----------------|-----------|--------------------|----------------|------------------|-----------|
| 3-1/8" [79 mm] | BB50 | 25-4671B | 25-4671ORB | 25-4671SN | 25-4671N | 25-4671AN | - | 25-4671SC | 50 |
| | PB | 25-P4671B | 25-P4671ORB | 25-P4671SN | 25-P4671N | 25-P4671AN | 25-P4671BLK | 25-P4671SC | 50 |
| 3-3/4" [95 mm] | BB50 | - | - | 25-4674SN | 25-4674N | - | - | 25-4674SC | 50 |

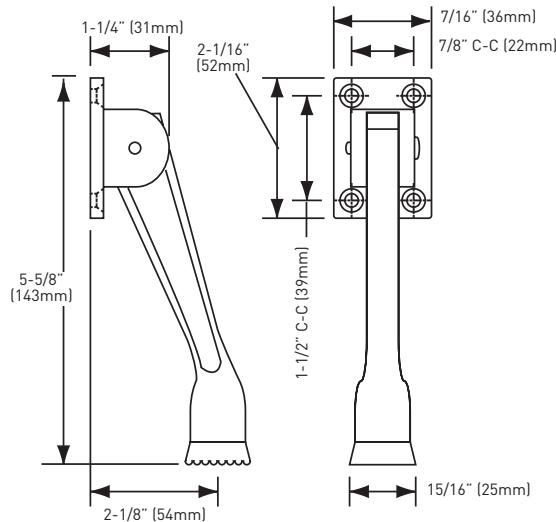
BB50 = BULK, BAGS OF 50; PB = POLY BAGGED WITH UPC



SOLID WALL STOP

› ZINC DIE-CAST CONSTRUCTION

| POLY-BAG WITH UPC | 10B OIL RUBBED BRONZE | 15 SATIN NICKEL | NICKEL 26 | 26D SATIN CHROME | CASE QTY. |
|-------------------|-----------------------|-----------------|-----------|------------------|-----------|
| 2-7/8" [73 mm] | 25-P4679ORB | 25-P4679SN | 25-P4679N | 25-P4679SC | 50 |



ELEPHANT STOP

› MOUNTING SCREWS INCLUDED

› CAST IRON

| | PKG | SILVER FINISH | REPLACEMENT RUBBER TIP | CASE QTY. |
|-----------------|----------------------|---------------|------------------------|-----------|
| 5-5/8" [143 mm] | POLY BAGGED WITH UPC | 25-4650SR | | 10 |
| RUBBER TIP | BULK | | 25-R4650T | 100 |

PB = POLY BAGGED WITH UPC; BK = BULK

MEASUREMENTS SUBJECT TO A 3% VARIANCE

MEASUREMENTS ARE FOR REFERENCE ONLY. TAYMOR RESERVES THE RIGHT TO CHANGE THE PRODUCT SPECS WITHOUT NOTICE. FOR PRODUCT WARRANTY, PLEASE VISIT TAYMOR WEBSITE FOR DETAILS