



FEATURES

- Universal 6-in-1 latch: drive in, square and radius mortise with adjustable backset: 2-3/8" (60mm) - 2-2/4" (70mm)
- Push button auto-release on privacy function
- Meets ANSI/BHMA A156.2 Grade 3 Standards

INSTALLATION

- Fits standard door thickness: 1-3/8" (35 mm) - 1-3/4" (45 mm)
- Full lip radius corner strike with adjustable tab standard: 1-3/4" x 2-1/4" (45 mm x 57 mm)
- Standard bore holes: 2-1/8" (54 mm)

STOCKED FINISHES

- Polished Chrome 26 (PC)
- Matte Black 19 (BLK)
- Satin Nickel 15 (SN)
- Satin Chrome 26D (SC)

SPECIAL ORDER FINISHES

- Satin Brass 4 (SB)
- Dark Bronze 10B (DB)
- Gun Metal (GM)
- Satin Stainless 32D (SS)



SQUARE CONTEMPORARY ROSE KIT *

| BOX PACK | POLISHED CHROME 26 | MATTE BLACK 19 | SATIN NICKEL 15 | SATIN CHROME 26D |
|-------------------------------|--------------------|----------------|-----------------|------------------|
| ROUND ROSE | | | | |
| Privacy | 30-D006224PC | 30-D006224BLK | 30-D006224SN | 30-D006224SC |
| Passage 🔥 | 30-D006234PC | 30-D006234BLK | 30-D006234SN | 30-D006234SC |
| Inside Trim | 30-HL0062PC | 30-HL0062BLK | 30-HL0062SN | 30-HL0062SC |
| Dummy | 30-624PC | 30-624BLK | 30-624SN | 30-624SC |
| SQUARE CONTEMPORARY ROSE KIT* | | | | |
| Privacy | 30-SQR0024PC | 30-SQR0024BLK | 30-SQR0024SN | 30-SQR0024SC |
| Passage | 30-SQR0034PC | 30-SQR0034BLK | 30-SQR0034SN | 30-SQR0034SC |
| Inside Trim / Dummy | 30-SQR0044PC | 30-SQR0044BLK | 30-SQR0044SN | 30-SQR0044SC |

* Not available in Special Order Finishes

HOW TO SPECIFY SPECIAL ORDER FINISHES

Please contact your Taymor Sales Representative for pricing, samples, and minimum order quantities.

To determine the item code for a special order finish product, simply add the finish code at the end of the product SKU as shown below:

| FINISH | FINISH CODE |
|---------------------|-------------|
| Satin Brass 4 | SB |
| Dark Bronze 10B | DB |
| Gun Metal | GM |
| Polished Chrome 26 | PC |
| Matte Black 19 | BLK |
| Satin Nickel 15 | SN |
| Satin Stainless 32D | SS |
| Satin Chrome 26D | SC |

| | | | |
|-----------|---|----------------|-------------|
| 30 | - | D006464 | SB |
| LINE CODE | | SKU | FINISH CODE |

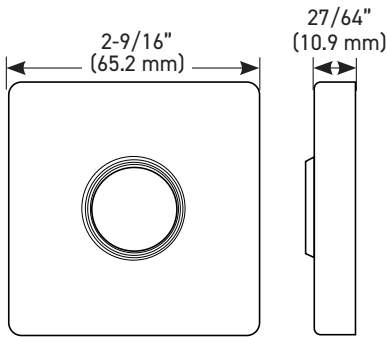
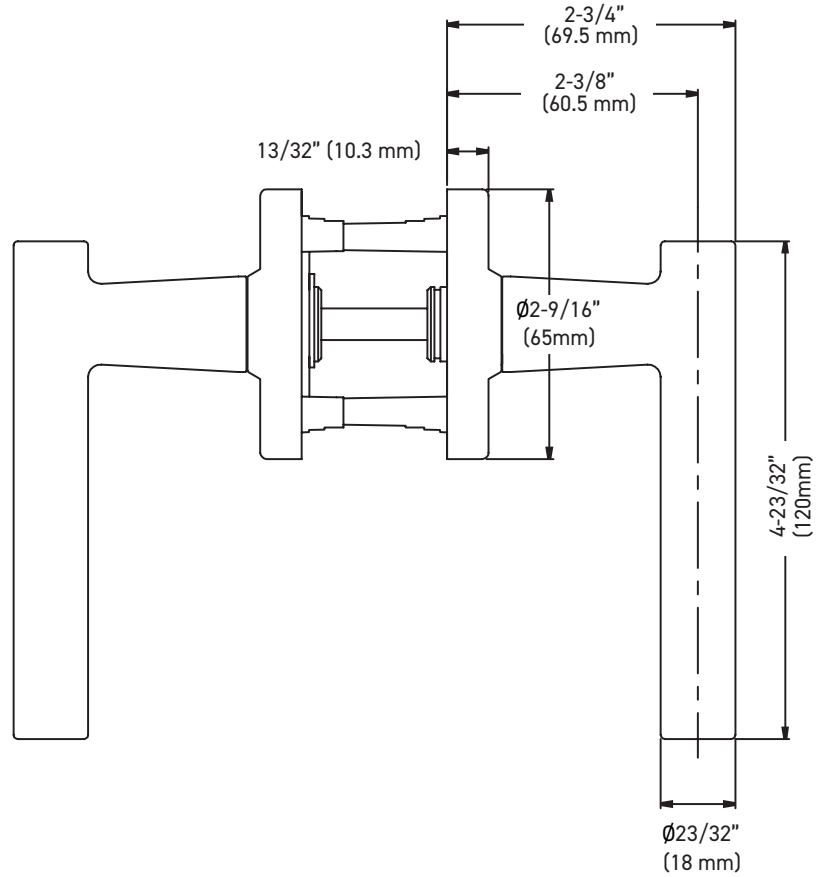
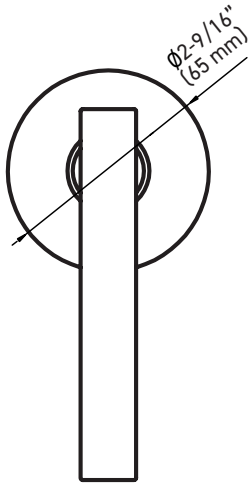
30-D006464SB

Example of the item codes for the Vega Round Rose Lever in Satin Brass:

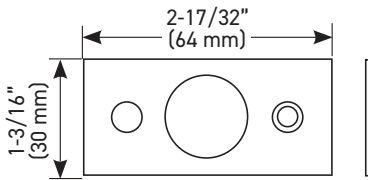
| FUNCTIONS | LINE CODE | SKU | FINISH CODE | ITEM CODE |
|-------------|-----------|---------|-------------|---------------------|
| Privacy | 30 | D006424 | SB | 30-D006424SB |
| Passage 🔥 | 30 | D006434 | SB | 30-D006434SB |
| Inside Trim | 30 | HL0064 | SB | 30-HL0064SB |
| Dummy | 30 | 644 | SB | 30-644SB |

ADDITIONAL DETAILS

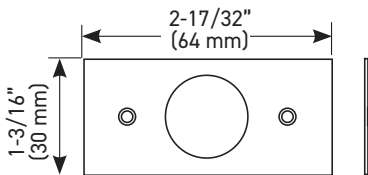
- Special order products are not eligible for return or exchange
- Lead times may vary
- Minimum order quantities apply



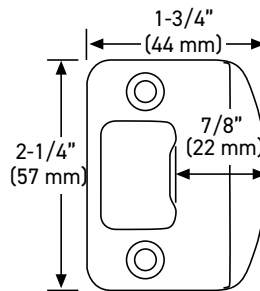
OPTIONAL SQUARE CONTEMPORARY ROSE KIT



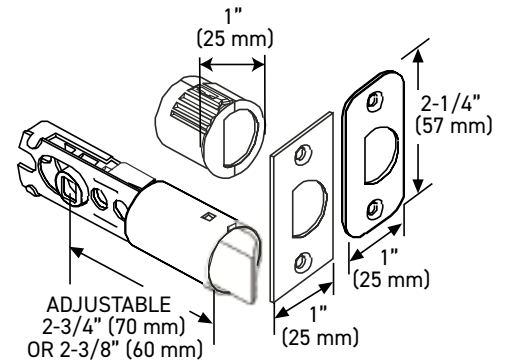
INTERIOR BRACKET



EXTERIOR BRACKET



FULL LIP RADIUS STRIKE



6-IN1 PRIVACY/PASSAGE LATCH

MEASUREMENTS SUBJECT TO A 3% VARIANCE. MEASUREMENTS ARE FOR REFERENCE ONLY. TAYMOR RESERVES THE RIGHT TO CHANGE PRODUCT SPECS WITHOUT NOTICE.