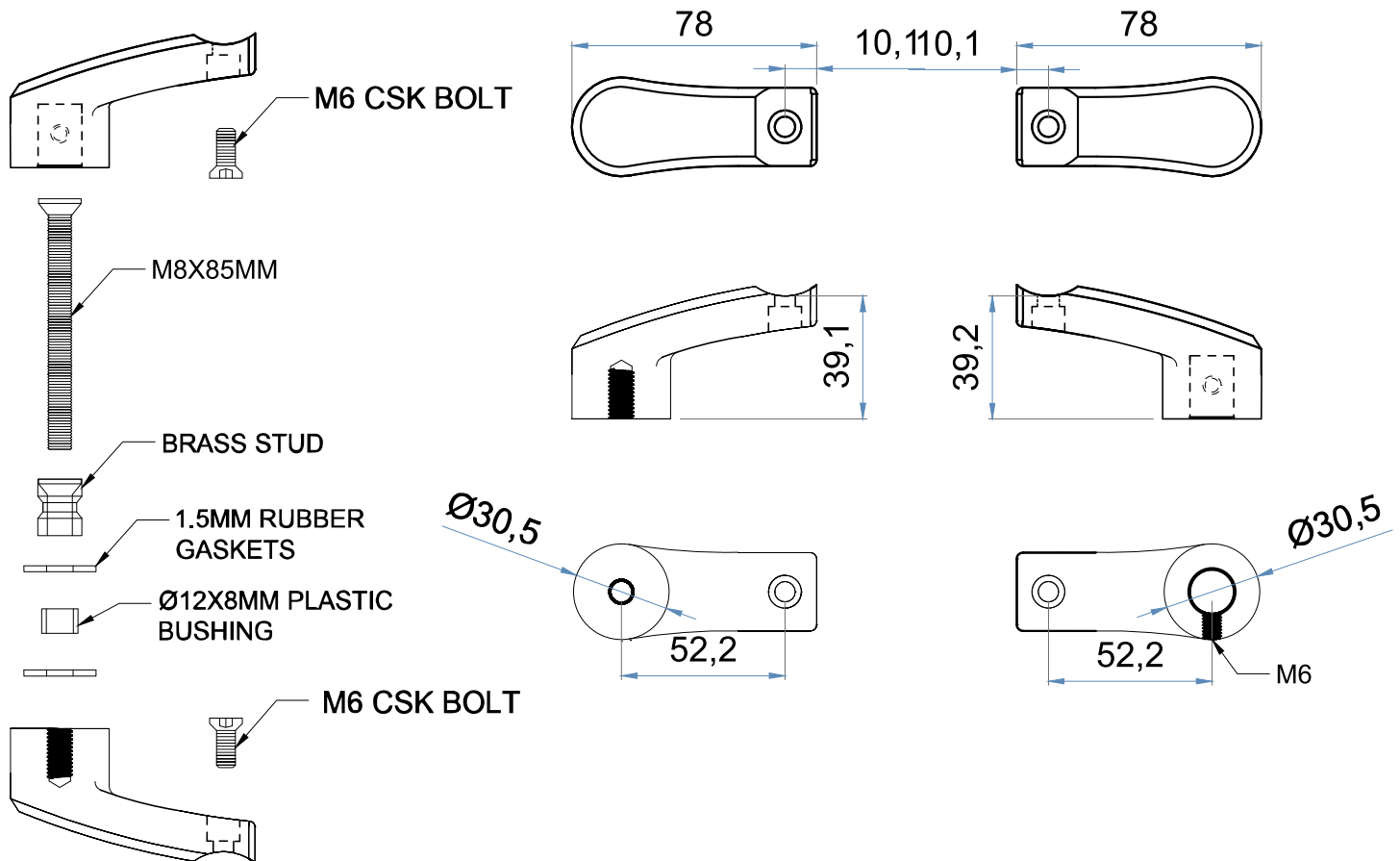


Round Offset Mid



All Dimensions are in MM
Material -SS 304 GRADE
Hole Size- M12
Door Thickness- Upto 60mm

Round Offset Mid

