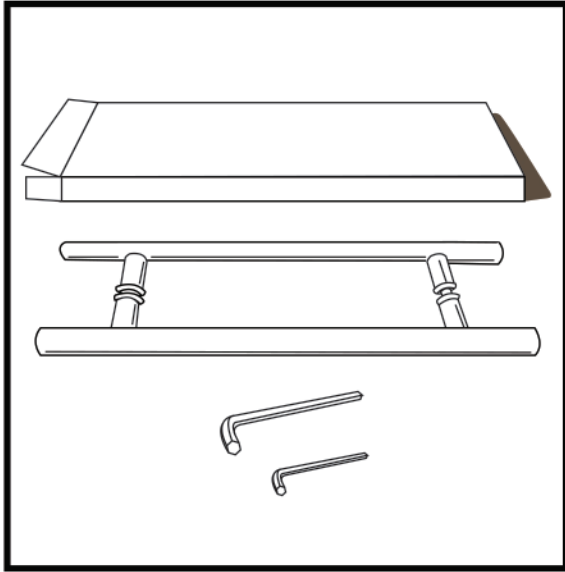
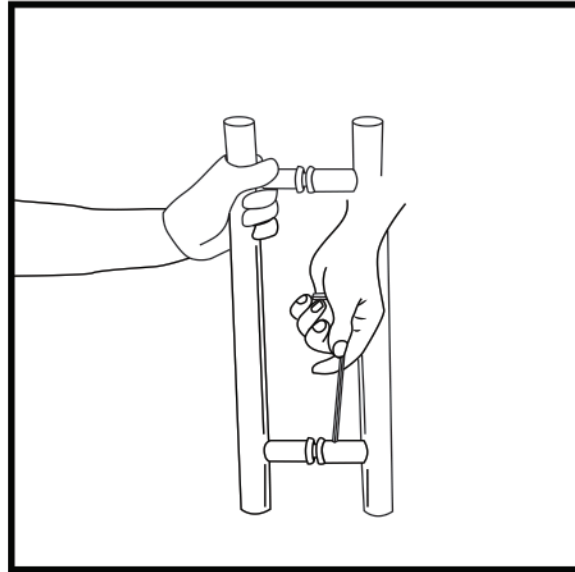


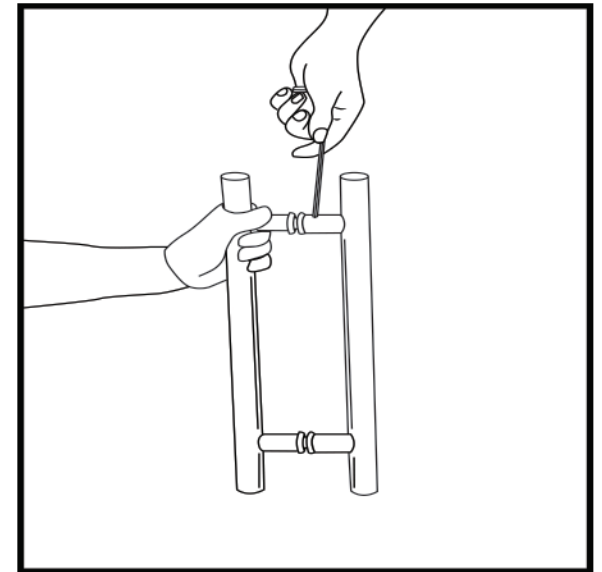
# How To Open Door Pull Handles



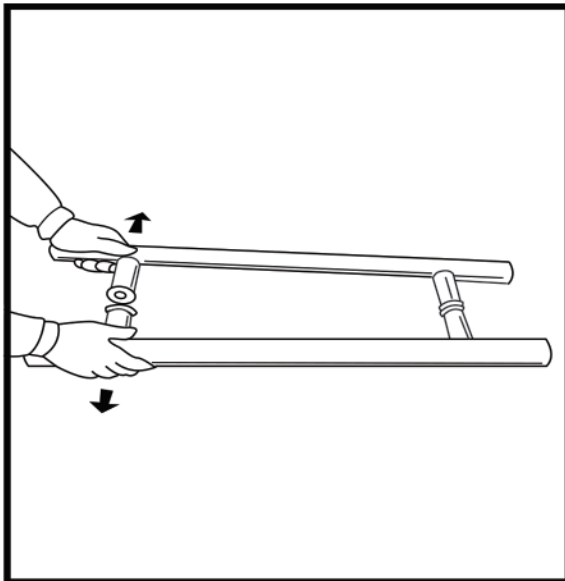
1. Open box Take Pull and Allen key out.



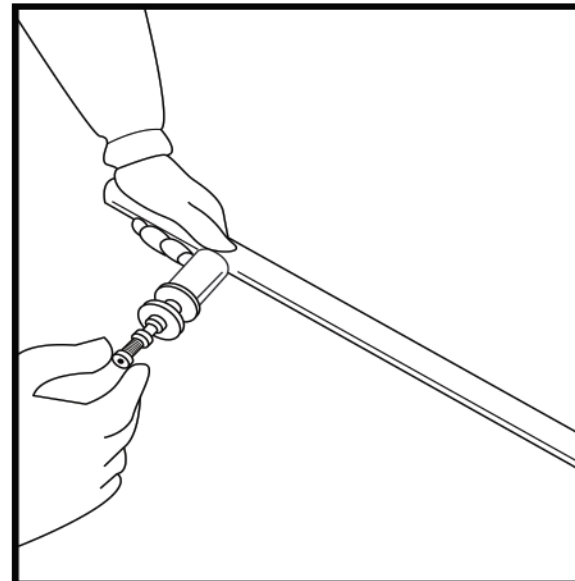
2. Open grabscrew from Bottom Side.



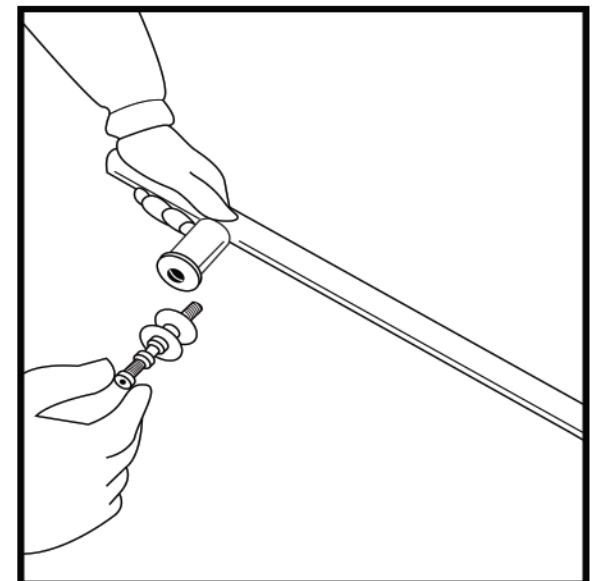
3. Open Grabscrew from Topside.



4. Pull Handles.



5. Unscrew Bolts.



6. Fix Handle pulls on Door.