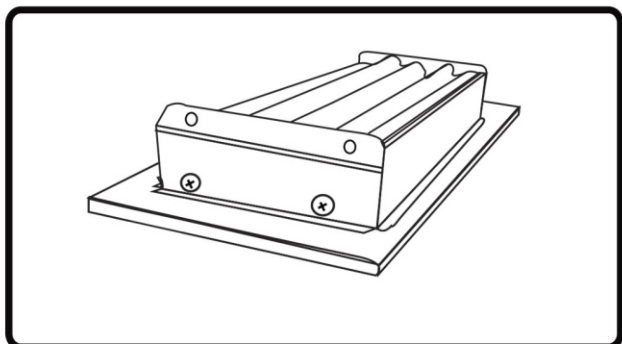
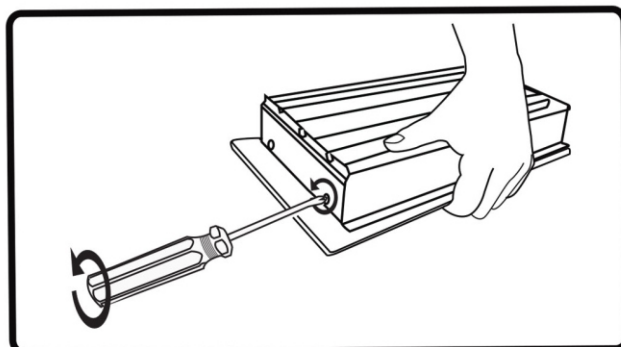


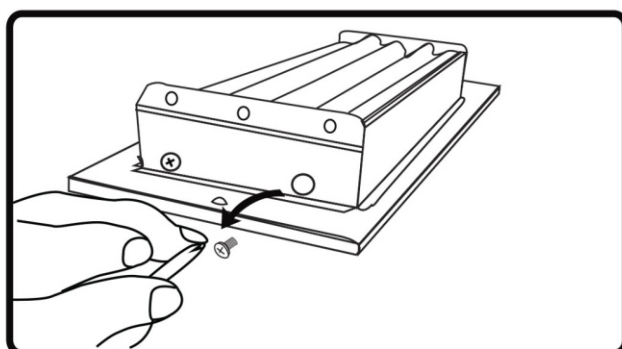
WALL MOUNTING CLIPS (Fixing Instructions)



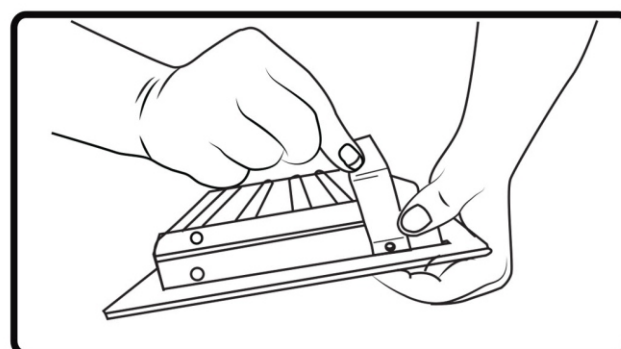
Turn the floor vent cover upside down to expose the damper



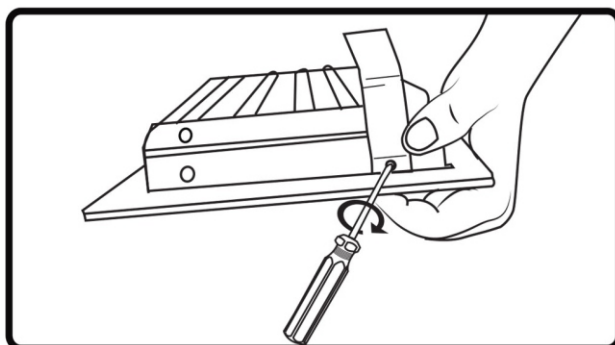
Use screw driver to unscrew all 4 screws from the damper .



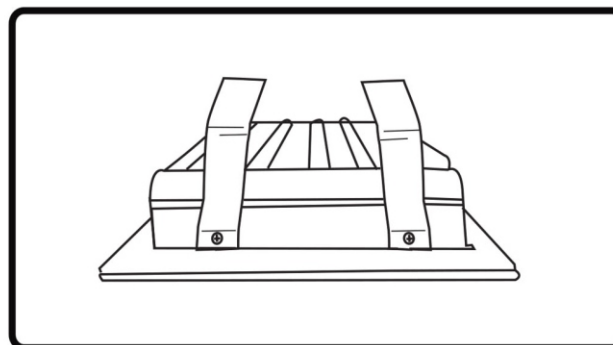
Remove the screws and keep aside safe.



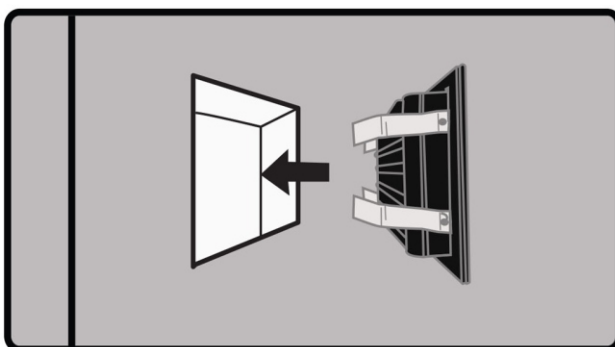
Position the wall mounting clips on the same screw holes where the damper was attached.



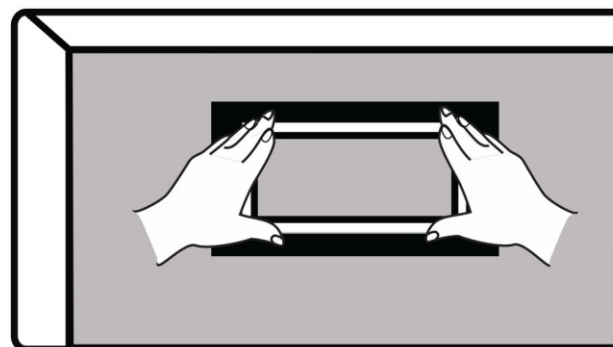
Use a screwdriver to tighten the clips with screws properly.



Ensure all 4 clips and screws are tightened securely.



Insert and push the vent cover into the sidewall duct opening.



Adjust if necessary to make it flush against the wall.