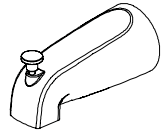
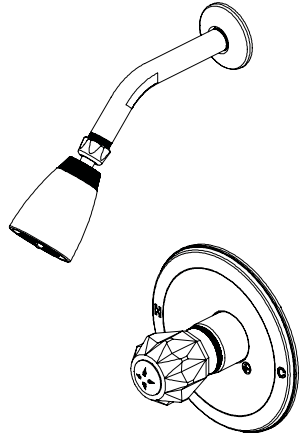


INSTALLATION INSTRUCTIONS

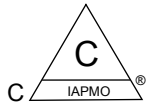


06-9906

SINGLE HANDLE TUB & SHOWER FAUCET



THIS VALVE MEETS OR EXCEEDS THE FOLLOWING STANDARDS: ASME A112.18.1/CSA B125.1



THANK YOU FOR PURCHASING THIS TAYMOR PRODUCT. ALL TAYMOR PRODUCTS ARE CAREFULLY ENGINEERED AND FACTORY TESTED TO PROVIDE LONG TROUBLE-FREE USE UNDER NORMAL CONDITIONS



WARNING: READ ALL the instructions completely before beginning. READ ALL warnings, care, and maintenance information.

Taymor recommends calling a professional if you are uncertain about installing this product!

This product should be installed in accordance with all local and provincial plumbing and building codes.



CAUTION: Before completing installation, the installer must set the maximum water temperature setting of this valve to minimize the risks associated with scalding hazards according to **ASTM F444**.

NOTICE TO THE INSTALLER: CAUTION! As the installer of this valve, it is your responsibility to properly **INSTALL** and **ADJUST** this valve per the instructions given. This valve does not automatically adjust for inlet temperature changes, therefore, someone must make the necessary Rotational Limit Stop adjustments at the time of installation and further adjustments may be necessary due to seasonal water temperature change.

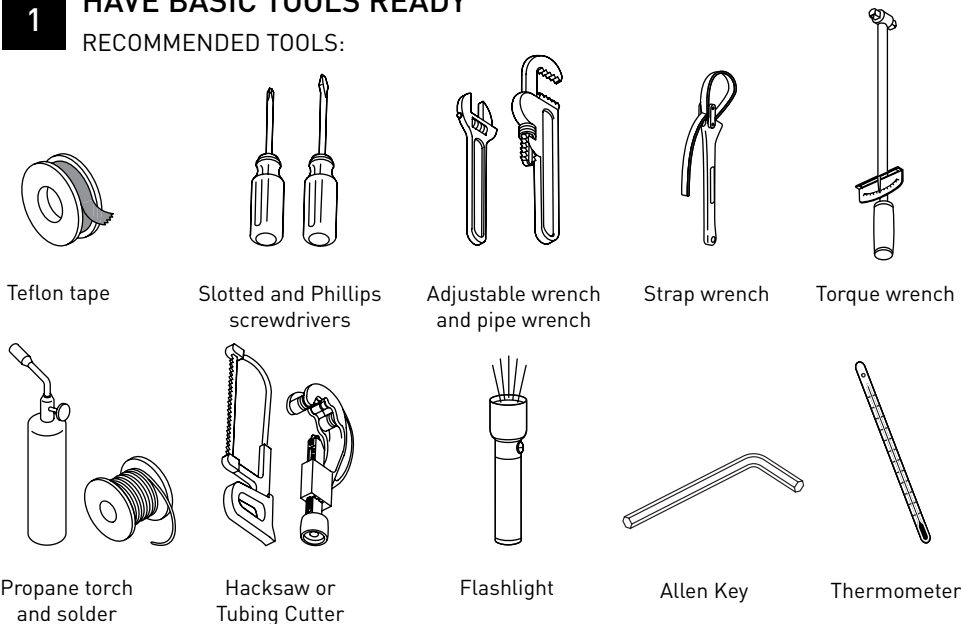
YOU MUST inform the owner/user of this requirement by following the instructions. If you or the owner/user are unsure how to properly make these adjustments, please refer to the instructions. After installation and adjustment, please fill in the blanks in the information box in the instructions. Retain the instructions for future reference.

NOTICE TO HOMEOWNERS! This device has been preset by _____ of _____ to ensure a safe maximum temperature. Any change in the setting may raise the discharge temperature above the limit considered safe, and lead to scalds. Date: _____

Need Help? Please call our toll-free Customer Support line at (WEST) 1-800-267-4774 (EAST) 1-800-387-7064 for additional assistance or service.

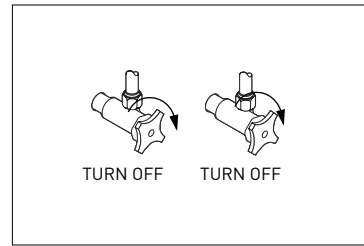
1 HAVE BASIC TOOLS READY

RECOMMENDED TOOLS:



2 TURN OFF THE MAIN WATER SUPPLY

Locate water supply and shut off water supply valves. These are usually found near water meter.

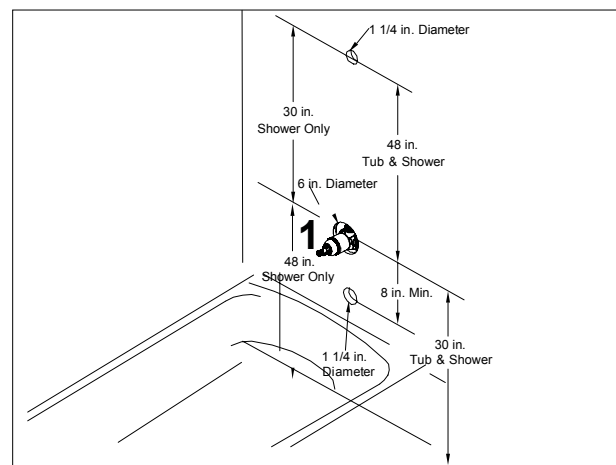


3 PREPARING FOR INSTALLATION

Verify that the hole sizes and positions of the holes in the wall are correct:

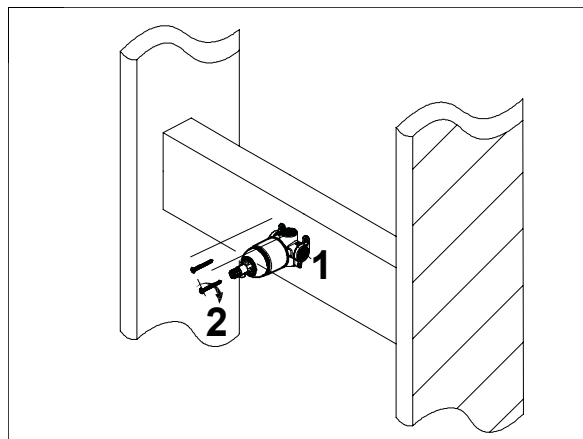
- The shower and tub spout outlet holes should be 1-1/4" in diameter.
- The valve access hole should be 6" in diameter.
- The recommended valve depth to the finished wall is 2" minimum to 2-1/2" maximum.

Ensure that the valve body (1) cover is flush with the finished exterior surface of the wall. Position the valve body (1) correctly in the wall with the **UP** pointing up. The 8" minimum from the valve body to the tub spout is required for proper operation.



4 SECURING THE BODY ASSEMBLY

Fasten the body assembly (1) with mounting screws (2, not included). **NOTE:** Be sure to position the body (1) correctly in the wall, with the markings **UP** facing upward.

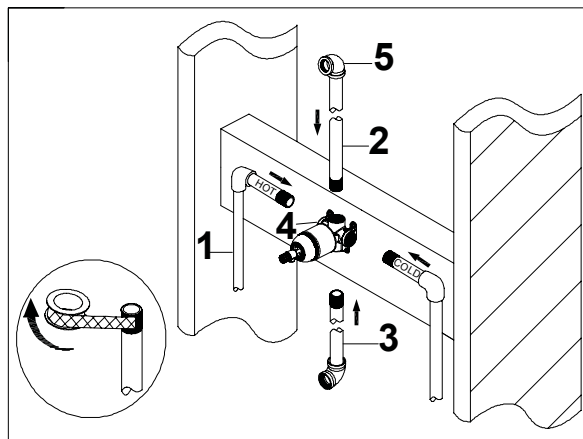


5 INSTALLING THE SUPPLY CONNECTIONS

Wrap teflon tape around the pipe threads in a clockwise direction, as shown. Connect the hot and cold water supply lines (1, not included), the shower outlet pipe (2, not included), and tub outlet pipe (3, not included) by threading them into the valve body (4) in a clockwise direction. Tighten the pipes to the valve body (4) with a pipe wrench (not included). Connect the pipe elbows (5, not included) to the end of the shower outlet and tub outlet pipes.

NOTE:

- The hot water supply lines go into the "H" inlet, and the cold water supply lines go into the "C" inlet.
- Do not use PEX or CPVC between the valve and spout.



INSTALLATION INSTRUCTIONS

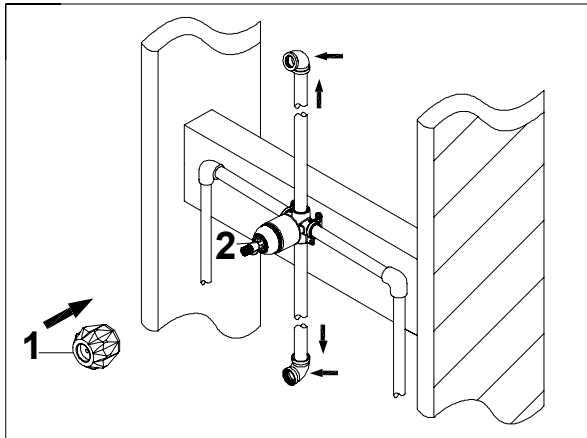
06-9906

SINGLE HANDLE TUB & SHOWER FAUCET

Taymor

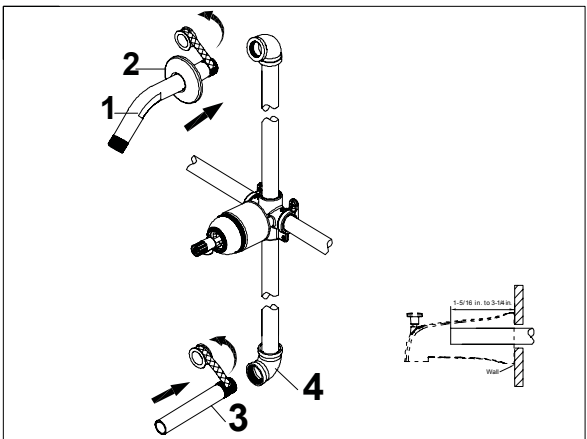
6 FLUSHING THE WATER OUTLETS AND CHECKING FOR LEAKS

Place the handle (1) on the valve body (2) cartridge and turn the handle (1) to the full mixed position. Turn on the hot and cold water supply lines and allow the water to flow from the outlets until all debris is cleared out. Check all connections for leaks. Shut off the water at the faucet and supply lines. Remove the handle (1).



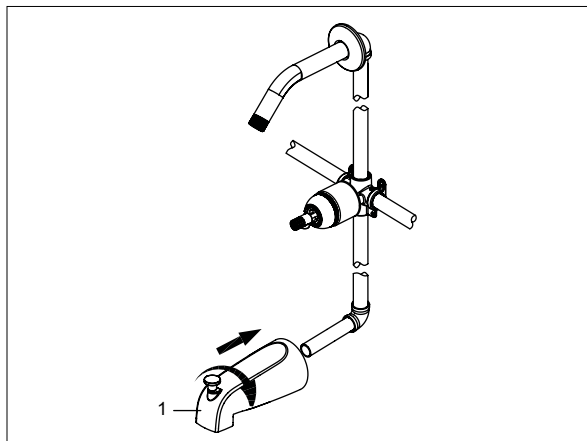
7 INSTALLING THE SHOWER ARM AND SHOWER FLANGE

Insert the long end of the shower arm (1) through the flange (2), then wrap teflon tape around long end of the shower arm (1) in a clockwise direction as shown. Install the long end of the shower arm (1) into the pipe elbow inside the wall. Carefully tighten the shower arm (1) with a clean strap wrench. Do not over tighten. Wrap teflon tape around the pipe threads of the tub spout outlet (3, not included) in a clock-wise direction, as shown. Connect the tub spout outlet pipe (the tub spout outlet pipe should project 1-5/16" to 3-3/4" from the finished wall) to the lower pipe elbow (4, not included). Tighten the elbow and tub spout outlet pipe connections with a strap wrench.



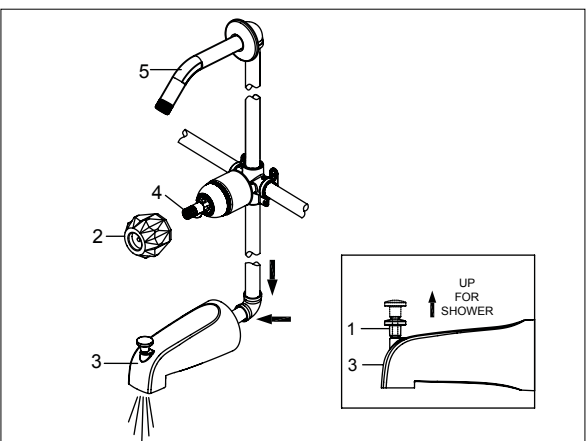
8 INSTALLING THE TUB SPOUT

Wrap thread teflon tape around the pipe threads of the tub spout (1) outlet in a clockwise direction, as shown. Thread the spout (1) onto the threaded connection in a clockwise until the spout (1) becomes flush with the finished wall. Use the wrench to tighten the spout (1).



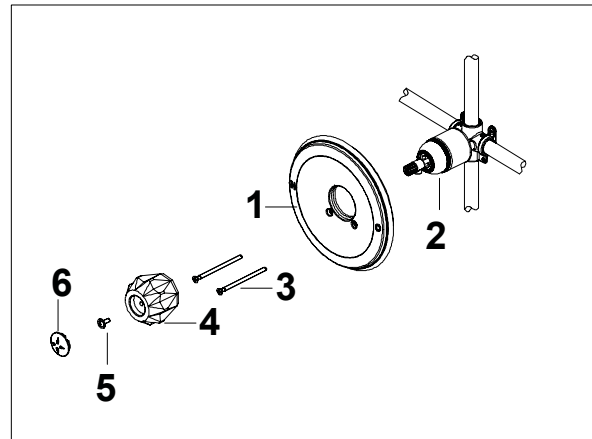
9 CHECKING FOR LEAKS

Place the handle (2) on the valve body inverter (4) and turn the handle fully to mixed position. When the valve is turned on, water normally flows through the tub spout (3). To activate the shower, turn the valve on and pull the knob (1) up. Hold the knob (1) until the water flows continuously from the shower arm (5). Check for leaks. Shut off the water at the faucet and supply lines. Remove the handle (2).



10 INSTALLING THE ESCUTCHEON AND HANDLE

Install the escutcheon (1) onto the valve body (2) using the escutcheon screws (3). Place the handle (4) onto the valve body (2) and tighten the screw (5). Insert the index (6) into the handle (4).



11 INSTALLING THE SHOWER HEAD

Attach the shower head (1) to the shower arm (2). Carefully tighten the shower head (1) with a wrench.

