

Taymor

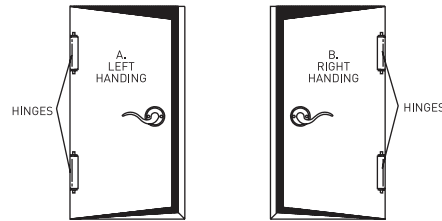
INSTALLATION INSTRUCTIONS
STRAIT (CANADA)

TOOLS AND MATERIALS REQUIRED

- > Drill
- > 2-1/8" (54 mm) Hole Saw
- > 3/8" (10 mm) Drill Bit
- > 1" (25 mm) Wood Bit
- > Chisel
- > Phillips Screw Driver
- > Tape Measure

1 DETERMINE DOOR HANDING

Stand at the exterior side and face the door.
A. Your door is a LEFT HAND door if hinges are installed at your left hand.
B. Your door is a RIGHT HAND door if hinges are installed at your right hand.



2a USE THROUGHBOLT TEMPLATE TO MARK AND DRILL HOLES

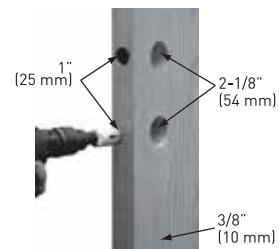
1. MARK DOOR

Use template attached to mark holes on door face.
A. Make mark for 1" (25 mm) hole on door edge.
B. Height 36" (914 mm) to 38" (965 mm) from floor.

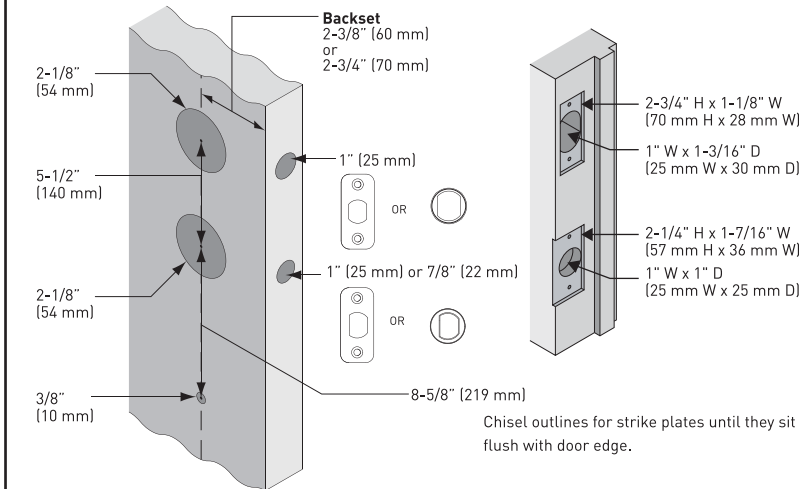


2. DRILL HOLES

Select backset. Mark and drill holes as shown.

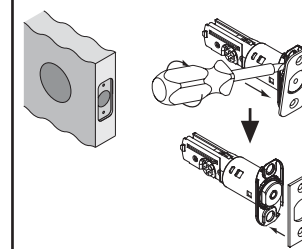


2b IF REPLACING EXISTING HANDLESET OR INSTALLING ON PRE-DRILLED DOOR, CHECK DOOR JAMB AND DOOR PREPARATION



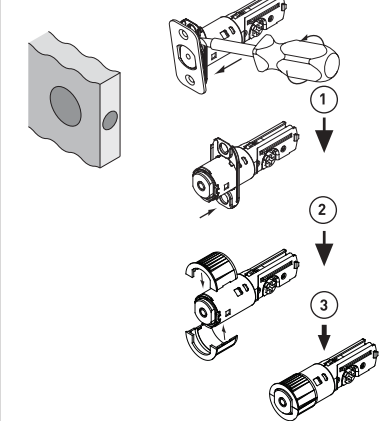
3 CHOOSE LATCH FACE PLATE FOR HANDLESET & DEADBOLT

RADIUS OR SQUARE CORNER MORTISE

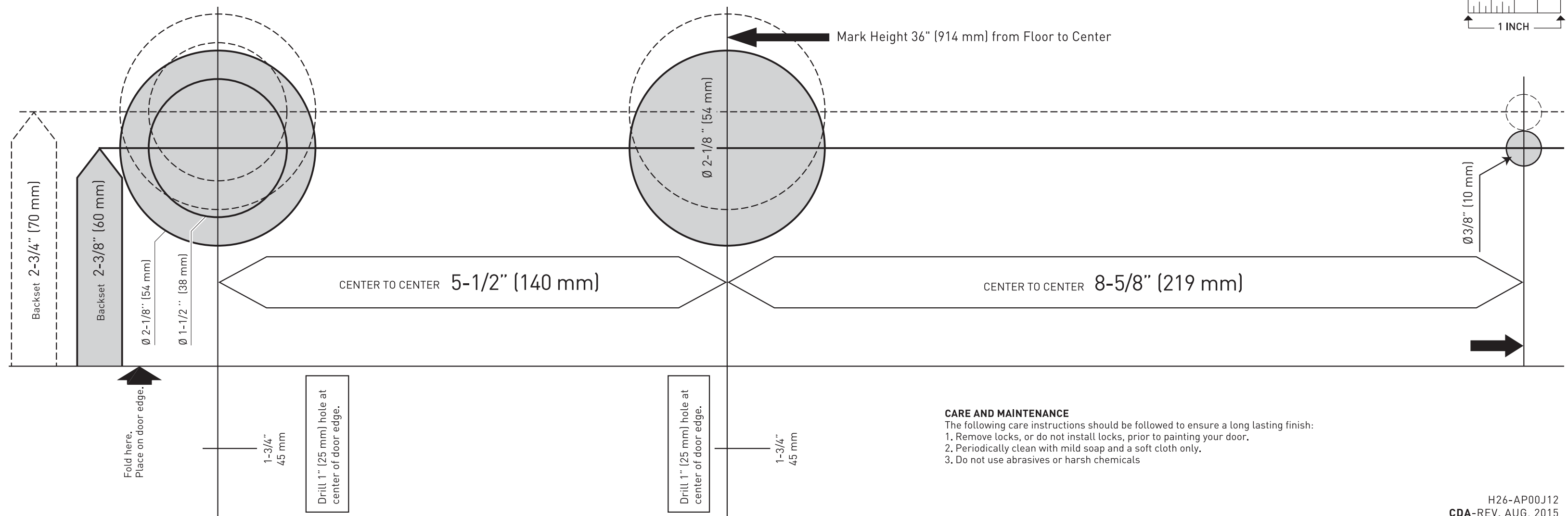


Chisel 1/8" (3 mm) deep or until latch face plate is flush with door edge.

DRIVE-IN



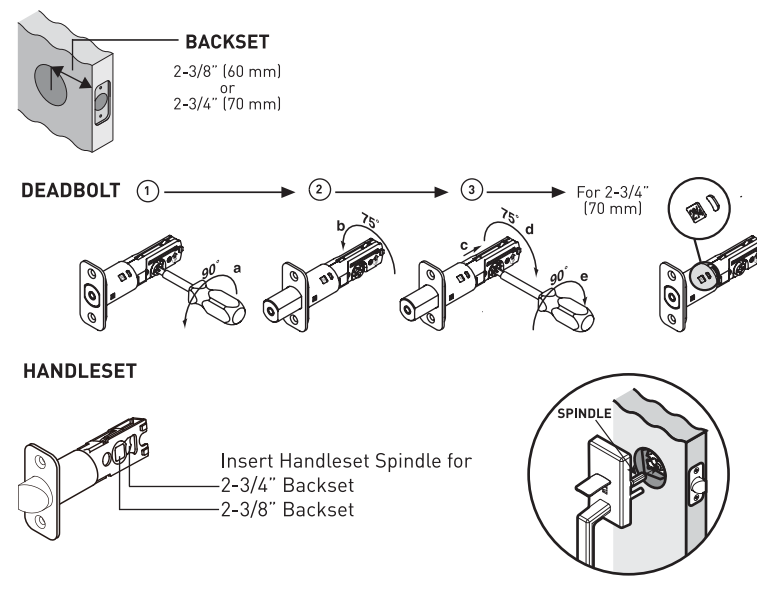
IMPORTANT: Print template to scale if not factory supplied instructions.



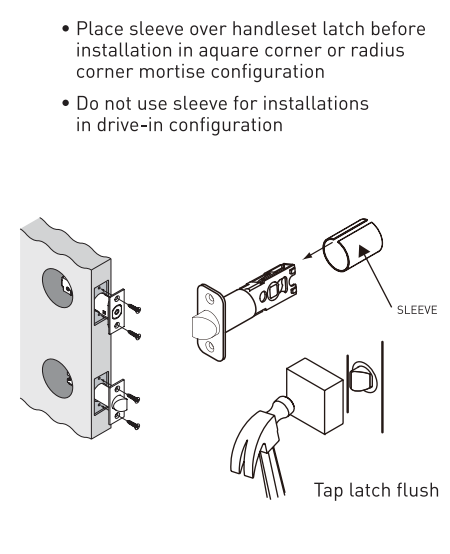
CARE AND MAINTENANCE

- The following care instructions should be followed to ensure a long lasting finish:
1. Remove locks, or do not install locks, prior to painting your door.
 2. Periodically clean with mild soap and a soft cloth only.
 3. Do not use abrasives or harsh chemicals

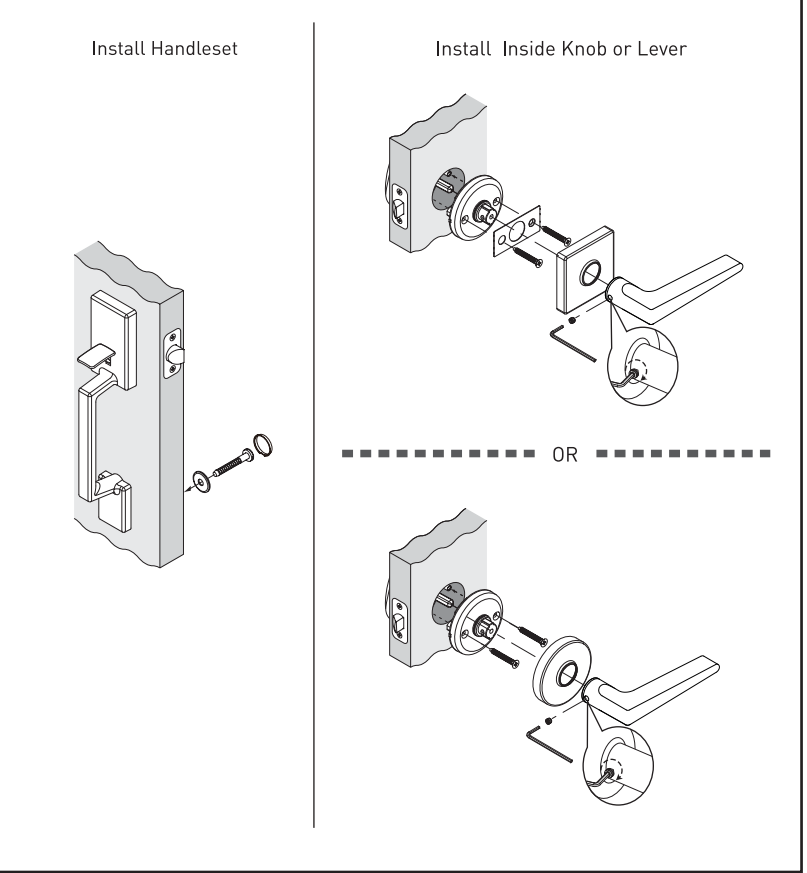
4 IF NECESSARY ADJUST LATCH INSTALLATIONS FOR PROPER BACKSET



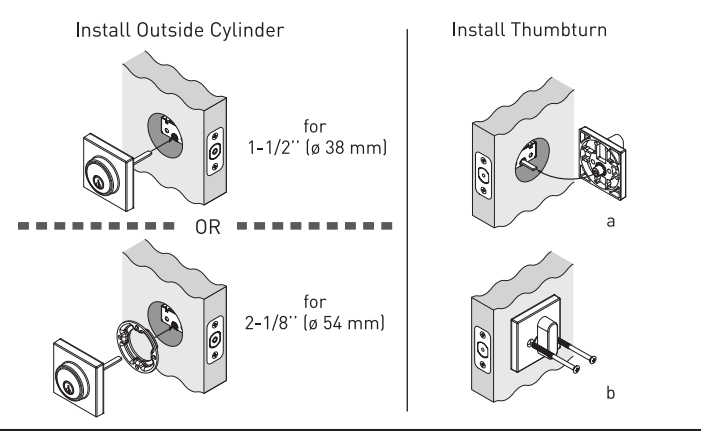
5 INSTALL HANDLESET LATCH AND DEADBOLT



6 INSTALL HANDLESET, INSIDE LEVER OR KNOB



7 (FOR SINGLE CYLINDER FUNCTION) INSTALL OUTSIDE CYLINDER HOUSING AND INTERIOR THUMBTURN



8 INSTALL STRIKES

