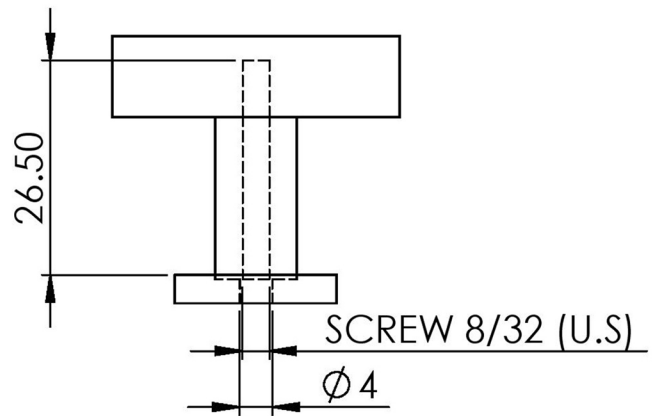
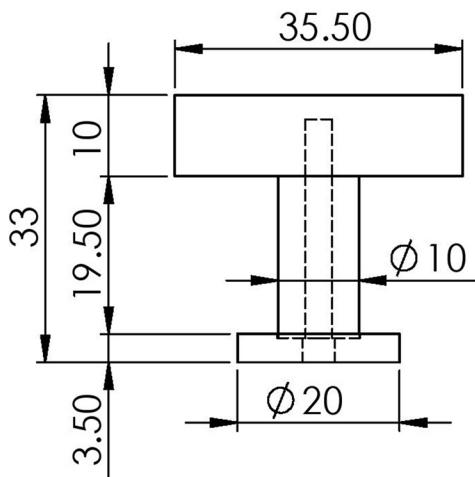
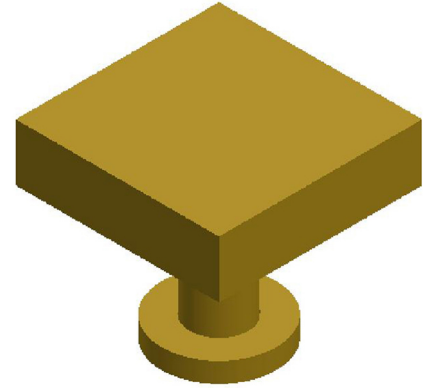
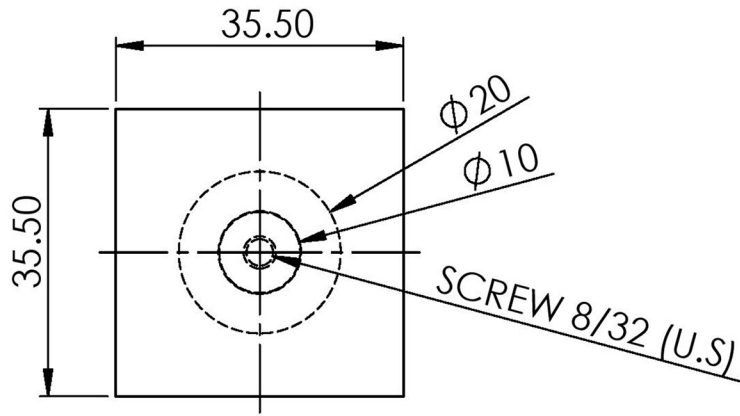


Cabinet Knob Square: 35 mm x 35 mm



NOTE:-

TOLERANCE

01 TO 50 = ±0.2
50 TO 100 = ±0.5
100 TO 200 = ±1.0

"All rights reserved"

Note: All Dimensions are in MM