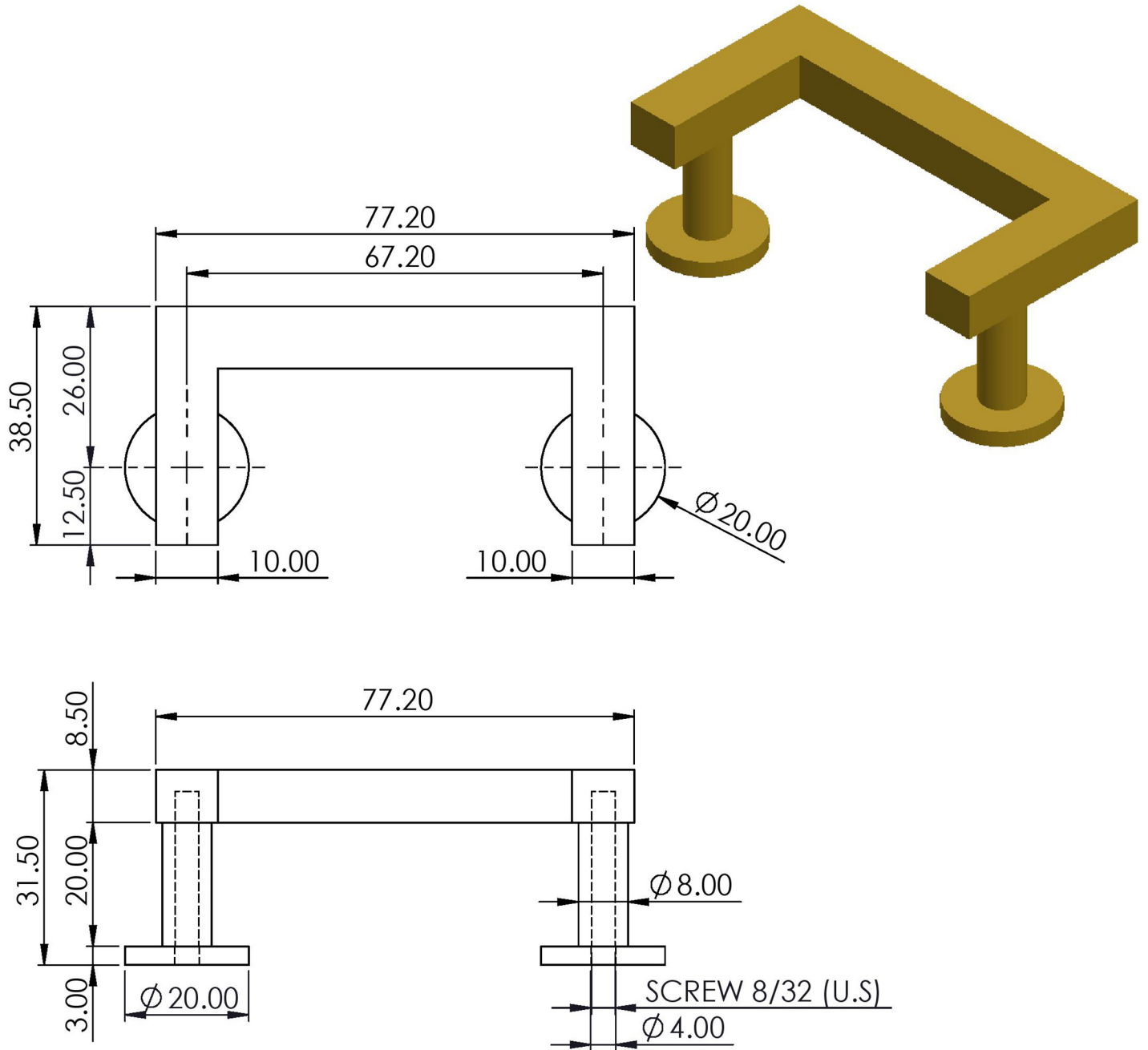


Cabinet Handle Pull Half Square 3"



NOTE:-

TOLERANCE

01 TO 50 = ± 0.2
 50 TO 100 = ± 0.5
 100 TO 200 = ± 1.0

"All rights reserved"

Note: All Dimensions are in MM