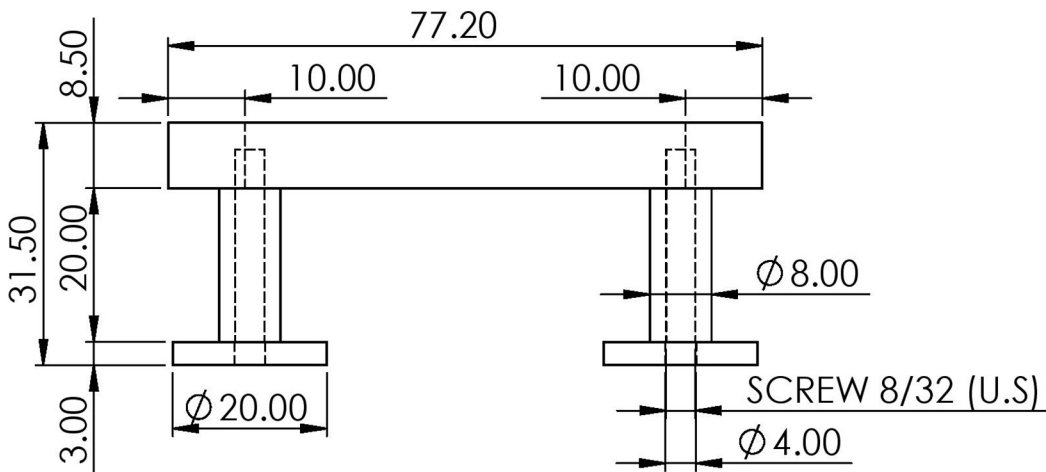
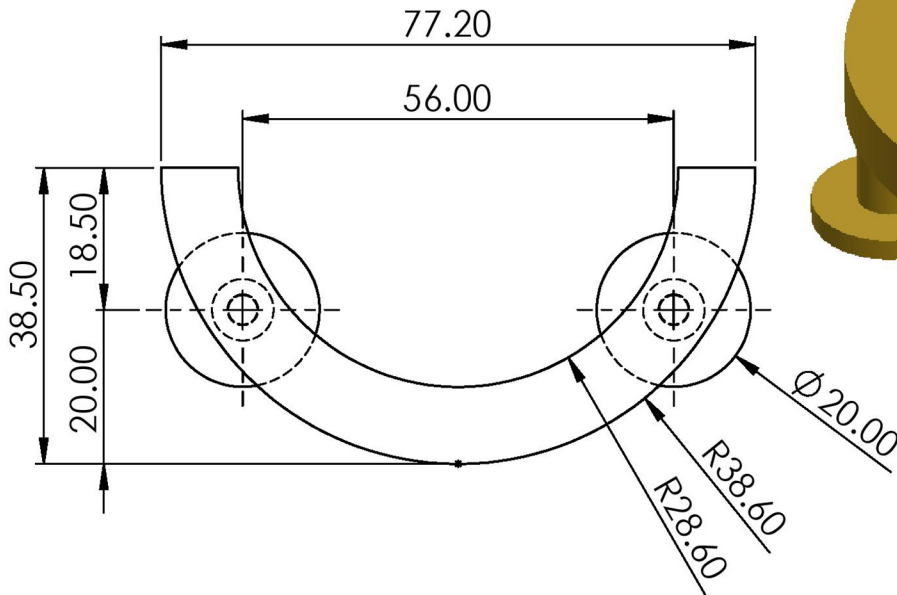


Cabinet Handle Pull Half Moon 3"



NOTE:-

TOLERANCE

- 01 TO 50 = ±0.2
- 50 TO 100 = ±0.5
- 100 TO 200 = ±1.0

"All rights reserved"

Note: All Dimensions are in MM