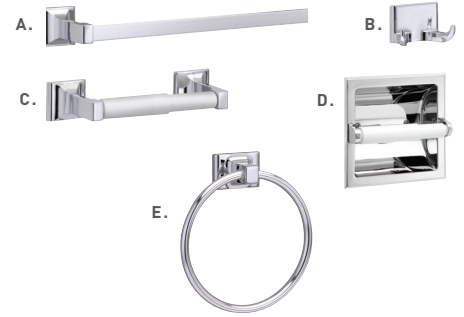
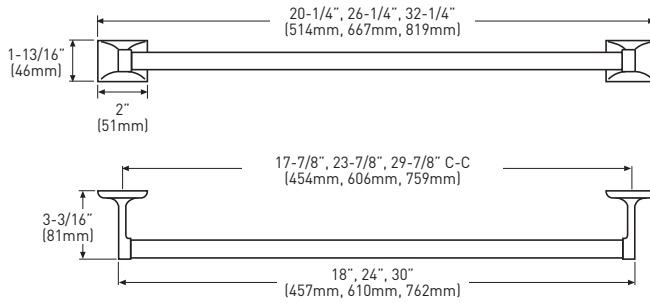


FEATURES

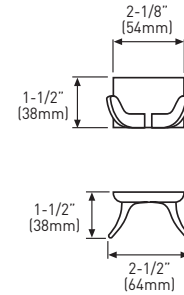
- › INCLUDES STEEL PHILLIPS HEAD SCREWS: #8 x 1-1/4" (32 mm)
- › ZINC DIE-CAST CONSTRUCTION (POSTS)



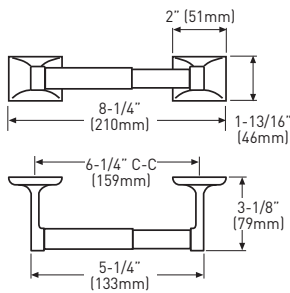
TOWEL BAR



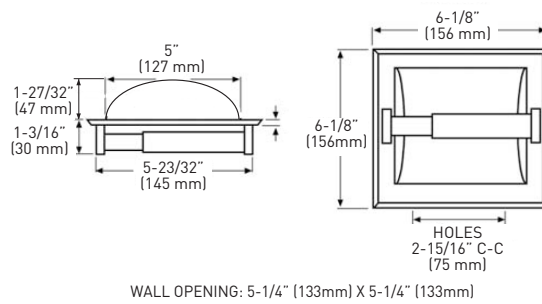
DOUBLE ROBE HOOK



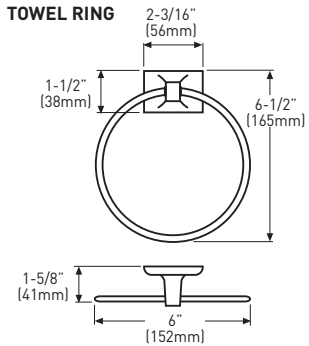
STANDARD PAPER HOLDER



RECESSED PAPER HOLDER



TOWEL RING



MEASUREMENTS SUBJECT TO A 3% VARIANCE

MEASUREMENTS ARE FOR REFERENCE ONLY. TAYMOR RESERVES THE RIGHT TO CHANGE THE PRODUCT SPECS WITHOUT NOTICE. FOR PRODUCT WARRANTY, PLEASE VISIT TAYMOR WEBSITE FOR DETAILS

RETAIL PACK	POLISHED CHROME 26	MATERIAL	CASE QTY.
A. TOWEL BAR - 18"	02-D940018	ZINC/ALUMINUM	4
TOWEL BAR - 24"	02-D940024	ZINC/ALUMINUM	4
TOWEL BAR - 30"	02-D940030	ZINC/ALUMINUM	4
B. DOUBLE ROBE HOOK	02-D9402	ZINC	4
C. PAPER HOLDER	02-D9408	ZINC/PLASTIC	4
D. RECESSED PAPER HOLDER - SCREW-IN	02-D101S	ZINC	5
E. TOWEL RING	02-D9404	ZINC/ALUMINUM	4

